

## EMI COMMON-MODE LINE FILTERS / BCH TYPE

### FEATURES

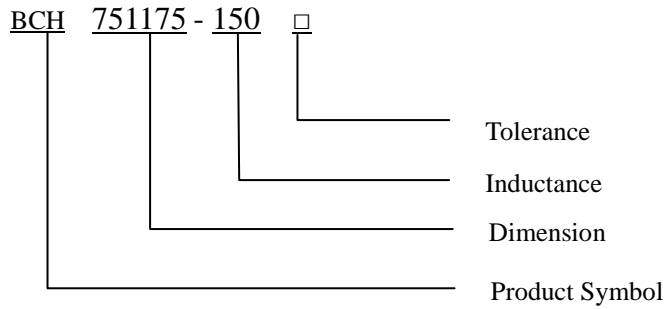
- ◆ High impedance and excellent frequency characteristic.
- ◆ Low magnetic flux leakage.
- ◆ Self electromagnetic shielding.



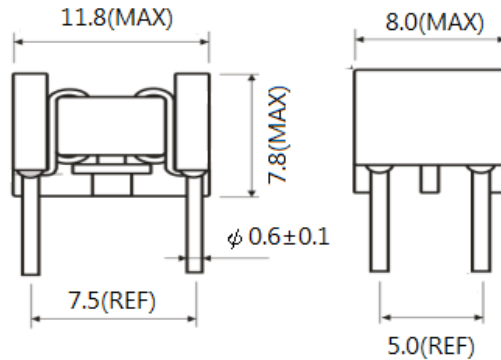
### APPLICATIONS

- ◆ EMI countermeasures at signal lines of personal computers, microcomputers, peripheral devices, Countermeasures against common-mode noise at composite at video signals.

### ORDERING CODE



### SHAPES & DIMENSIONS (UNIT: mm)



### SPECIFICATIONS

Part No.	Inductance (L1=L2) ( $\mu$ H)(REF)	Test Freq.	DC Resistance (L1=L2) (m $\Omega$ )(MAX)	Rated Current (A)(MAX)
BCH 751175-6R75	6.75	100KHz/0.25V	19	2
BCH 751175-7R7	7.70	100KHz/0.25V	19	2
BCH 751175-150	15.0	1KHz/0.25V	20	2
BCH 751175-180	18.0	1KHz/0.25V	35	2